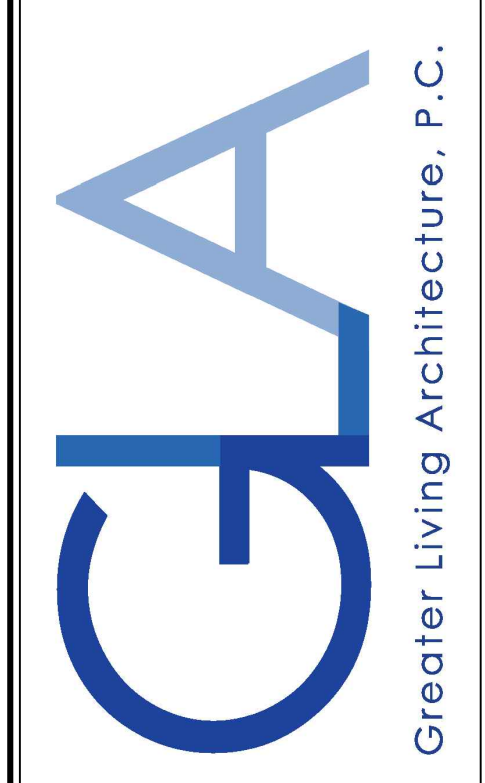


COPYRIGHT NOTICE:
 THESE PLANS ARE PROTECTED UNDER FEDERAL COPYRIGHT LAWS BY GREATER LIVING ARCHITECTURE. ANY UNAUTHORIZED REPRODUCTION OR MODIFICATION OF THESE PLANS IS A VIOLATION OF COPYRIGHT LAWS. CLIENT RIGHTS ARE LIMITED TO ONE-TIME USE FOR THE CONSTRUCTION OF THESE PLANS.
 UNAUTHORIZED ALTERATIONS OR ADDITIONS TO THIS PLAN IS A VIOLATION OF THE NEW YORK STATE EDUCATION LAW, ARTICLE 145, SECTION 7209
 COPYRIGHT © ALL RIGHTS RESERVED GREATER LIVING ARCHITECTURE, P.C.



3033 BRIGHTON-HENRIETTA TOWNLINE RD
 ROCHESTER, NY 14623
 CALL: (585) 272-9170
 FAX: (585) 292-1262
 www.greaterliving.com

REVISIONS:

DATE	BY	DESCRIPTION

CLIENT/LOCATION:
 706 E. MORENO DR.
 GREECE, NY

BUILDER:
 KELLY HOMES
 OF NEW YORK, LLC

ELEVATIONS

GLA PLAN 2082

drawn: CSB	checked: XXX
scale: AS NOTED	date: 7/23
PROJECT: 15424C	sheet: 1 5

WINDOWS: VUID
 U-FACTOR 0.30
 SHGC 0.54

DOORS: SELECTION BY OWNER

AIR INFILTRATION RATE FOR WINDOWS, SKYLIGHTS, & SLIDING DOORS TO BE NO MORE THAN 0.3 cfm/ft. & SLIDING DOORS NO MORE THAN 0.5 cfm/ft. AS PER SECT. R402.4.3 OF 2020 ECCNYS

WINDOW / DOOR LEGEND:

[E] = MEETS OR EXCEEDS EGRESS REQUIREMENTS
 - CLEAR OPENING AREA OF 5.7 SQ.FT.
 - CLEAR OPENING WIDTH OF 20"
 - CLEAR OPENING HEIGHT OF 24"
 PER SECT. R310.1 OF 2020 RCNYS

[T] = SPECIFIES THAT THIS FIXED OR OPERABLE UNIT REQUIRES SAFETY GLAZING PER SECT. R308.4 OF 2020 RCNYS

[FP] = SPECIFIES THAT THIS OPERABLE WINDOW UNIT REQUIRES FACTORY APPLIED FALL PROTECTION PER SECT. R312.2 OF 2020 RCNYS

GENERAL NOTES:
 ALL RAKES & OVERHANGS ARE TO BE 1'-0" UNLESS NOTED OTHERWISE
 4/12 PITCH ROOFS OR SHALLOWER TO HAVE 2 LAYERS 15# FELT
 BUILDER TO PROVIDE ROOF OR RIDGE VENTS AS PER CODE. THE MINIMUM NET FREE VENTILATION AREA SHALL BE 1/150 OF THE AREA OF THE VENTED SPACE (SECT. R806.2)
 CONTRACTOR TO CONTACT THIS OFFICE PRIOR TO CONSTRUCTION IF THE ASSUMED GRADE DEPICTED IS INACCURATE AND / OR WILL ALTER THE DESIGN AND / OR STRUCTURE NOTED.
MECHANICAL VENTILATION RATE:
 THIS PLAN AS DESIGNED REQUIRES (MIN) 1 CONTINUOUSLY RUN EXHAUST FAN CAPABLE OF (MIN) 50 cfm WITH A MANUAL OVERRIDE SWITCH AS PER SECTION M1505.4.2 OF 2020 RCNYS SEE TABLES M1505.4.3(1) & M1505.4.3(2) & M1505.4.4 (PAGE 1)

TABLE M1505.4.3 (1)
 CONTINUOUS WHOLE-HOUSE MECHANICAL VENTILATION SYSTEM AIRFLOW RATE REQUIREMENTS

DUELLING UNIT FLOOR AREA (square feet)	NUMBER OF BEDROOMS			
	0-1	2-3	4-5	6-7 > 7
< 1,500	30	45	60	75 90
1,501-3,000	45	60	75	90 105
3,001-4,500	60	75	90	105 120
4,501-6,000	75	90	105	120 135
6,001-7,500	90	105	120	135 150
> 7,500	105	120	135	150 165

FOR SI: 1 square foot=0.0929 m2, 1 cubic foot per min=0.0004719 m3/s

TABLE M1505.4.3 (2)
 INTERMITTENT WHOLE-HOUSE MECHANICAL VENTILATION RATE FACTORS a,b

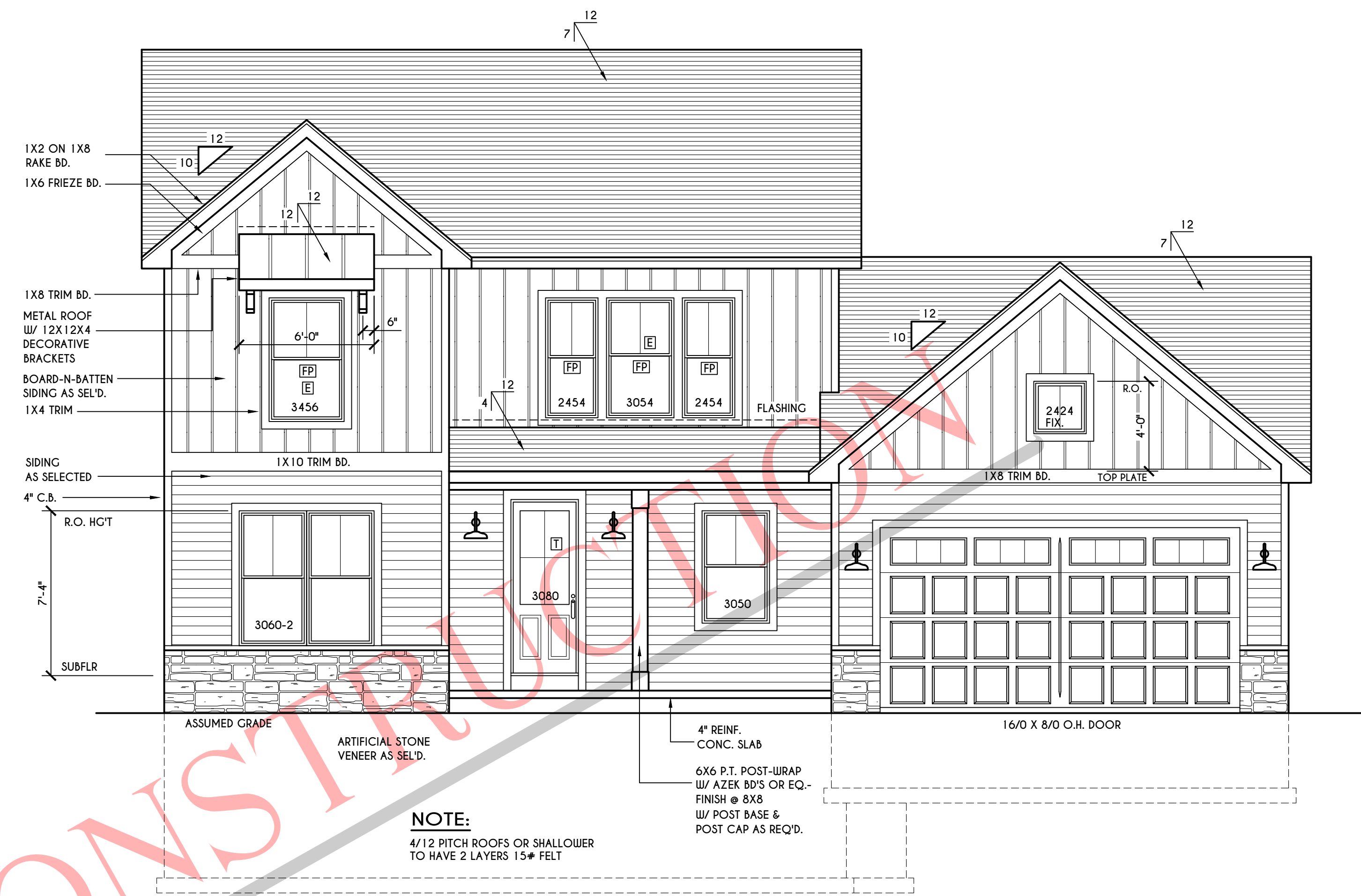
RUN-TIME PERCENTAGE IN EA. 4-HOUR SEGMENT	25%	33%	50%	66%	75%	100%
FACTOR	4	3	2	1.5	1.3	1.0

a. For ventilation system run time values between those given, the factors are permitted to be determined by interpolation.
 b. Extrapolation beyond the table is prohibited.

TABLE M1505.4.4
 MINIMUM REQUIRED LOCAL EXHAUST RATES FOR ONE AND TWO-FAMILY DWELLINGS

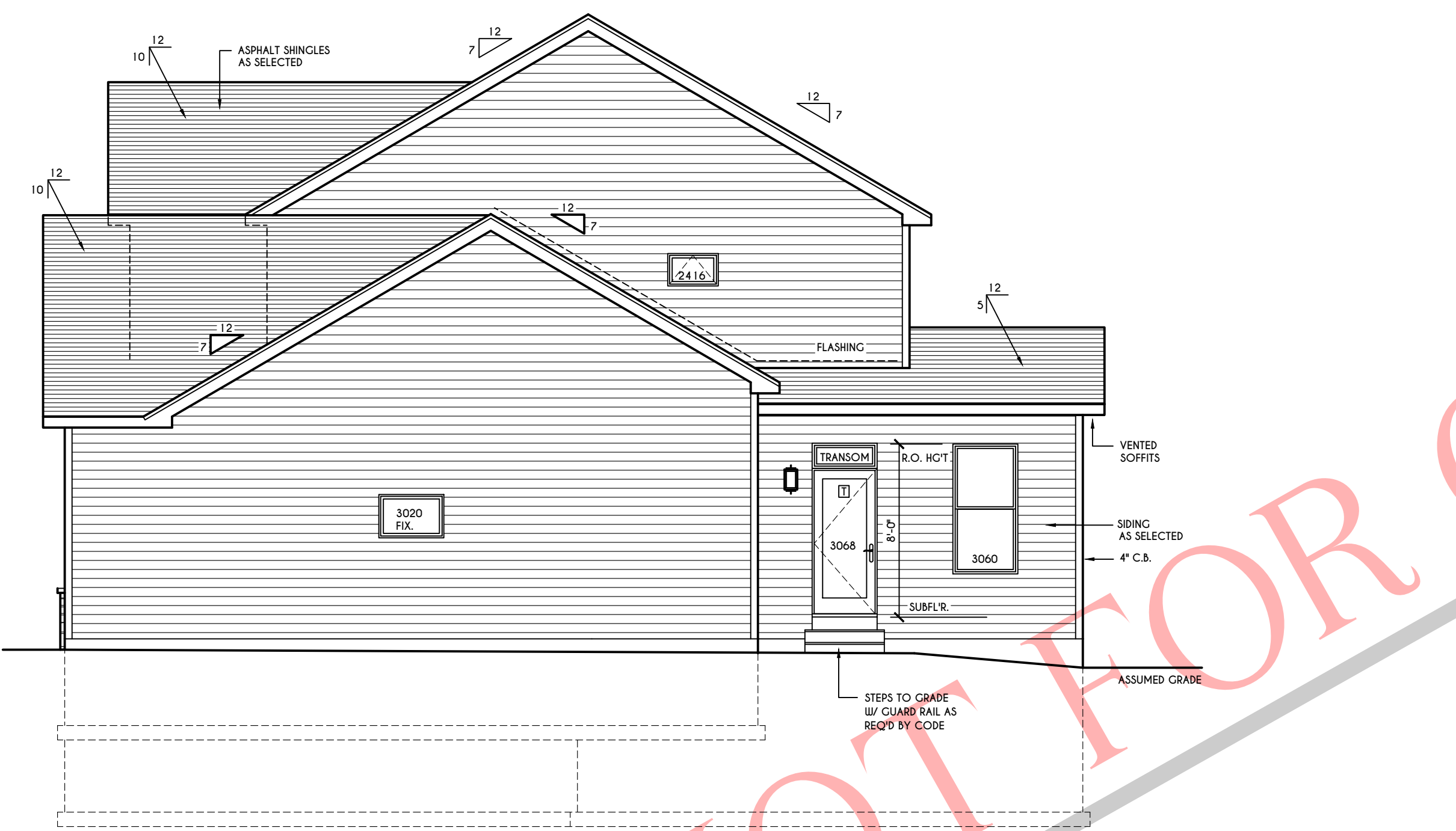
AREA TO BE EXHAUSTED	EXHAUST RATES
KITCHENS	100 cfm INTERMITTENT OR 25 cfm CONTINUOUS
BATHROOMS-TOILET ROOMS	MECHANICAL EXHAUST CAPACITY OF 50 cfm INTERMITTENT OR 20 cfm CONTINUOUS

FOR SI: 1 CUBIC FT. PER MINUTE = 0.0004719 m3/s.



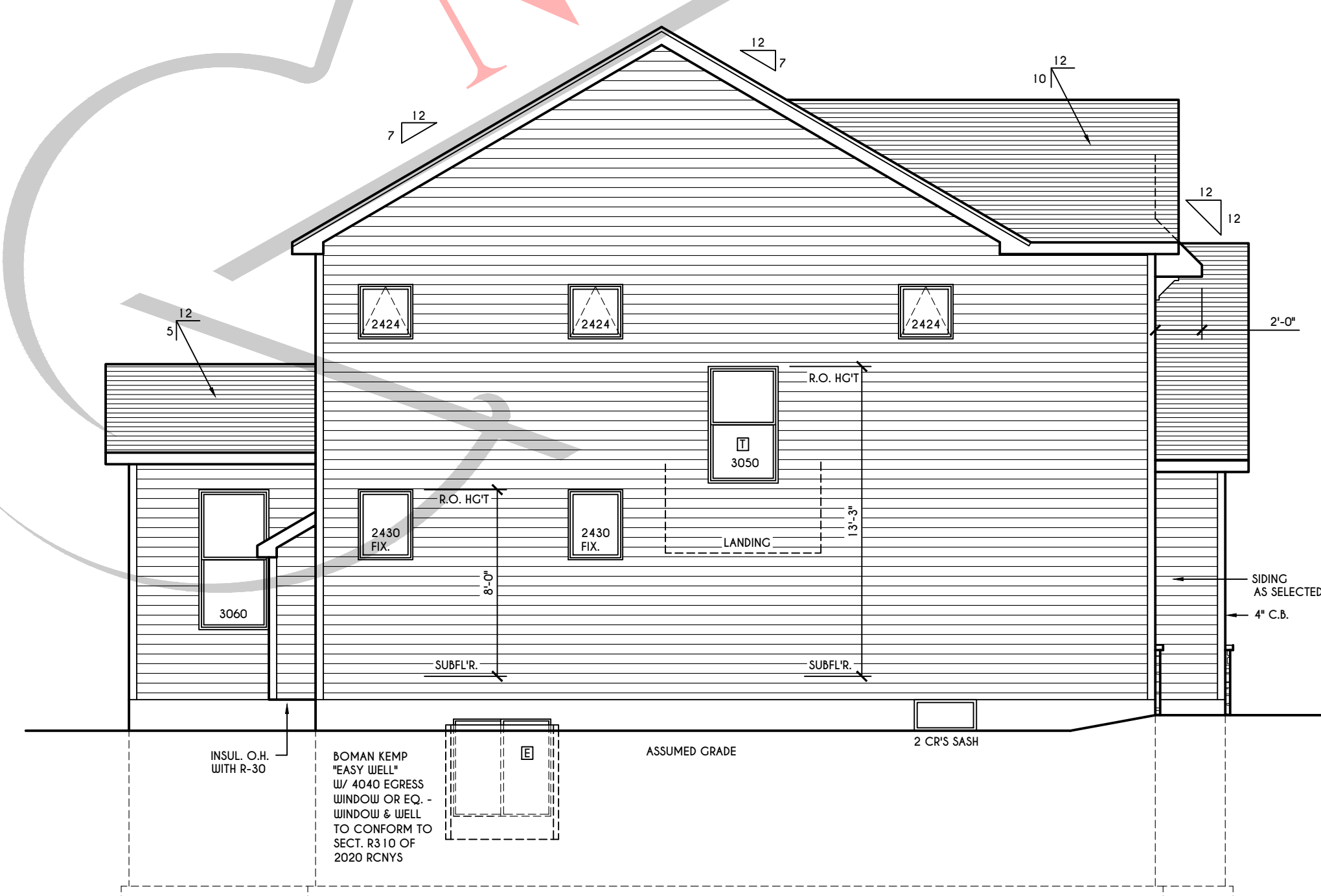
FRONT ELEVATION

SCALE: 1/4" = 1'-0"
 FIRST FLOOR LIVING AREA = 1112 SQ.FT.
 SECOND FLOOR LIVING AREA = 970 SQ.FT.
 TOTAL LIVING AREA = 2082 SQ.FT.
 TOTAL CONDITIONED VOLUME = 27,578 CU.FT.



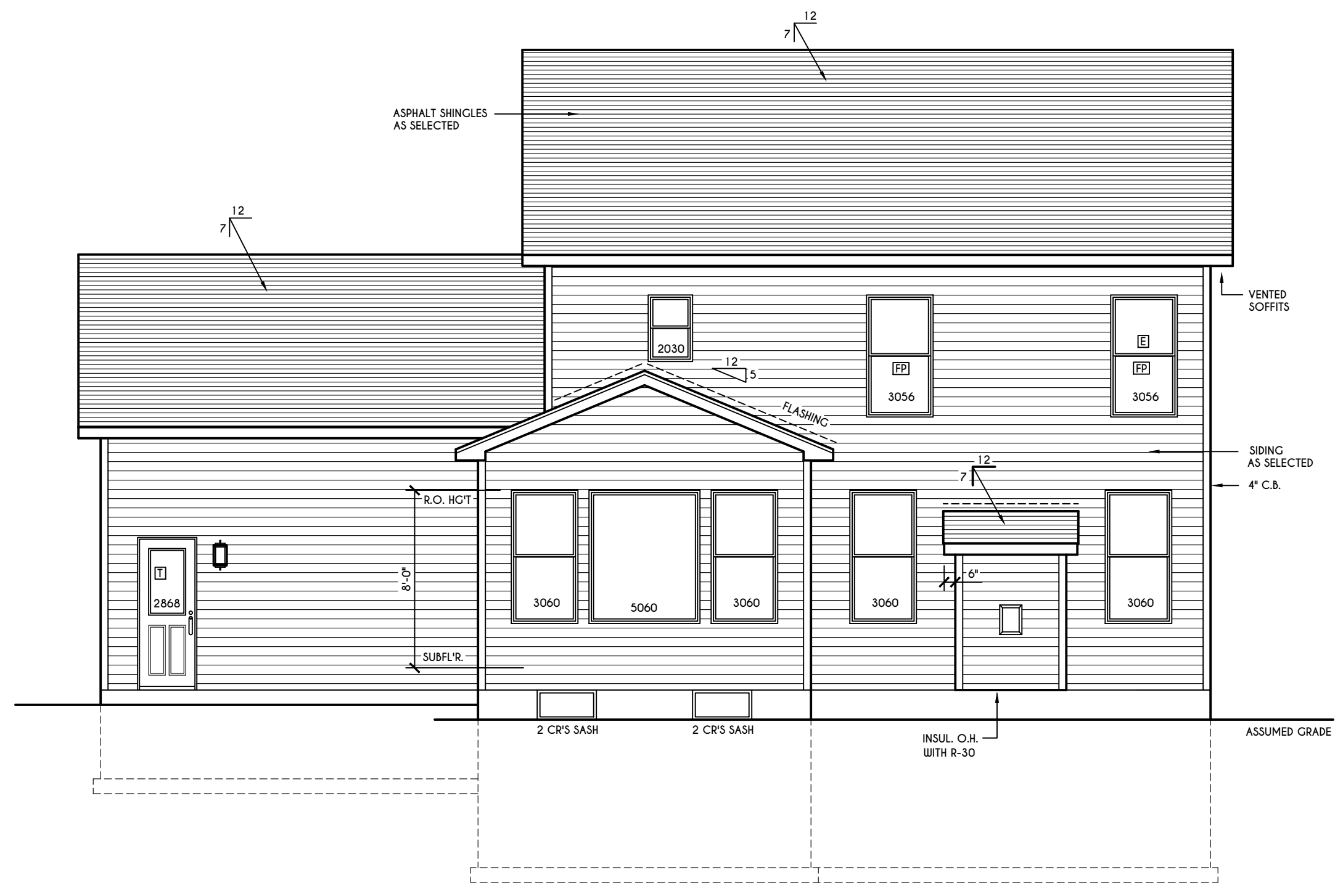
RIGHT ELEVATION

SCALE: 3/16" = 1'-0"



LEFT ELEVATION

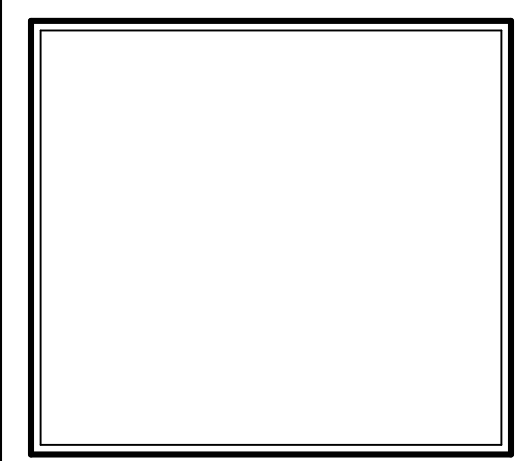
SCALE: 3/16" = 1'-0"



REAR ELEVATION

SCALE: 3/16" = 1'-0"

COPYRIGHT NOTICE :
 THESE PLANS ARE PROTECTED UNDER FEDERAL COPYRIGHT LAWS BY GREATER LIVING ARCHITECTURE. ANY UNAUTHORIZED REPRODUCTION OR MODIFICATION OF THESE PLANS IS A VIOLATION OF COPYRIGHT LAWS. CLIENT RIGHTS ARE LIMITED TO ONE-TIME USE FOR THE CONSTRUCTION OF THESE PLANS.
 UNAUTHORIZED ALTERATIONS OR ADDITIONS TO THIS PLAN IS A VIOLATION OF THE NEW YORK STATE EDUCATION LAW, ARTICLE 145, SECTION 7209
 COPYRIGHT © ALL RIGHTS RESERVED GREATER LIVING ARCHITECTURE, P.C.



3033 BRIGHTON-HENRIETTA TOWNLINE RD
 ROCHESTER, NY 14623
 CALL: (585) 272-9170
 FAX: (585) 292-1262
 www.greaterliving.com

CLIENT/LOCATION:
 706 E. MORENO DR.
 GREECE, NY

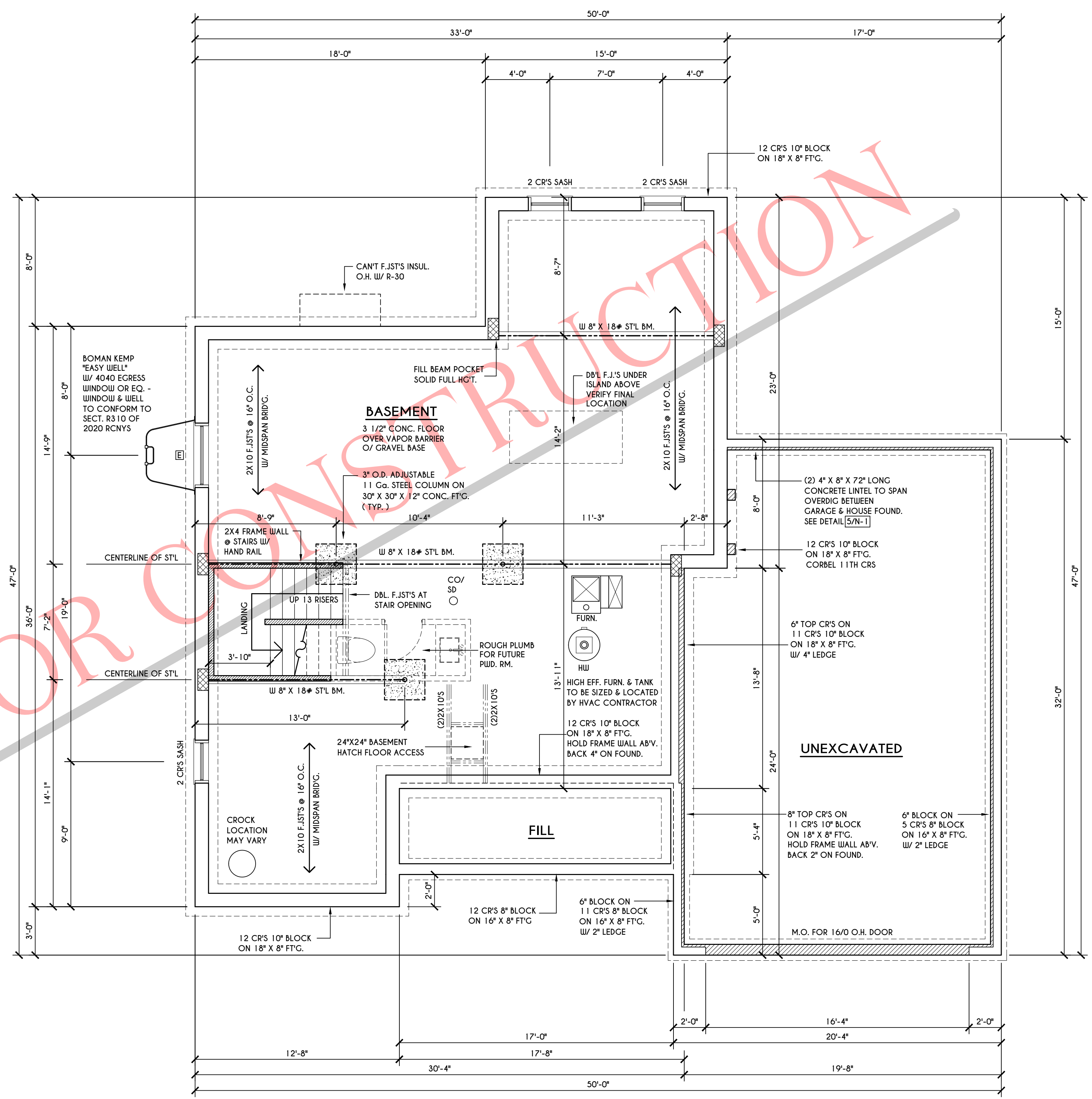
REVISIONS:

DATE	BY	DESCRIPTION

BUILDER:
 KELLY HOMES OF NEW YORK, LLC

FOUNDATION PLAN
 GLA PLAN 2082

drawn: CSB	checked: XXX
scale: AS NOTED	date: 7/23
PROJECT: 15424C	sheet: 2 / 5

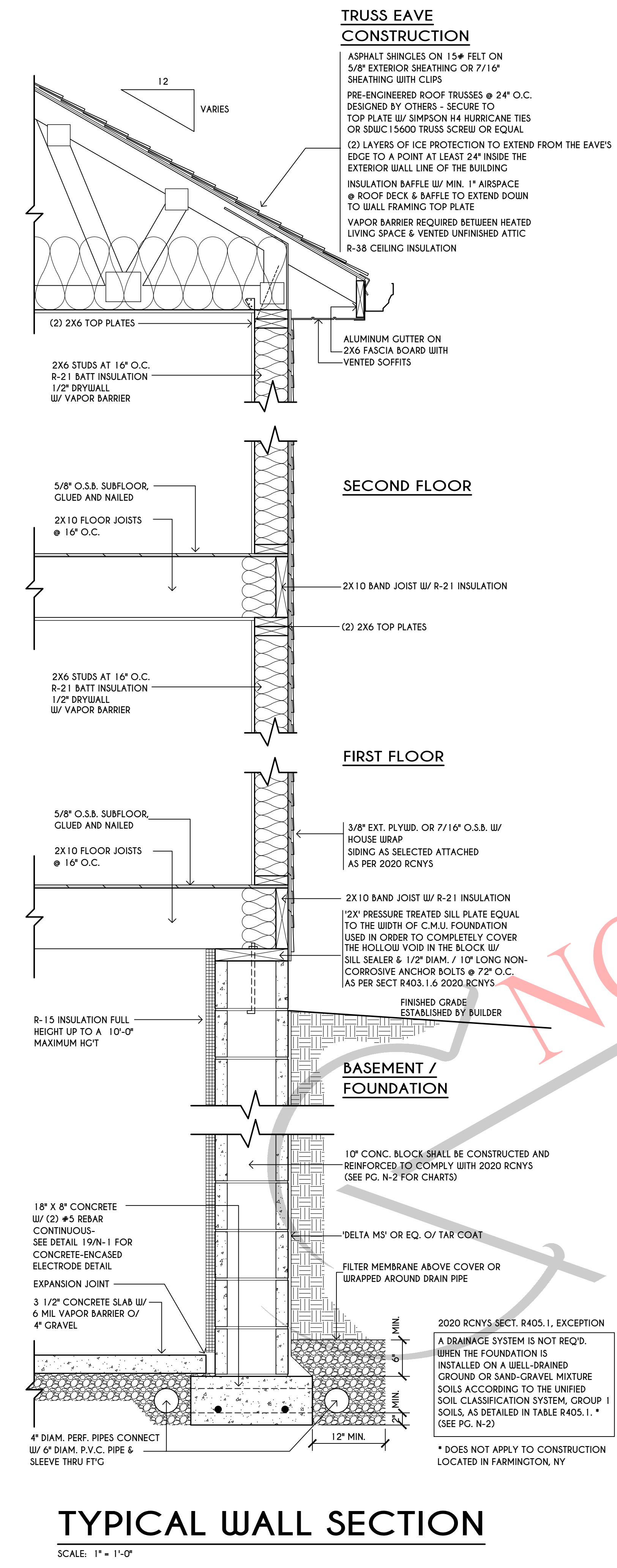


FRAMING LEGEND:

	- PROVIDE SOLID POSTING- GLUED & NAILED, EQUAL TO THE # OF HEADERS TO BE SUPPORTED- UNLESS NOTED OTHERWISE
	- DROPPED HEADER
	- FLUSH HEADER
	- 2X4 STUDS @ 16" O.C.
	- 2X6 STUDS @ 16" O.C.

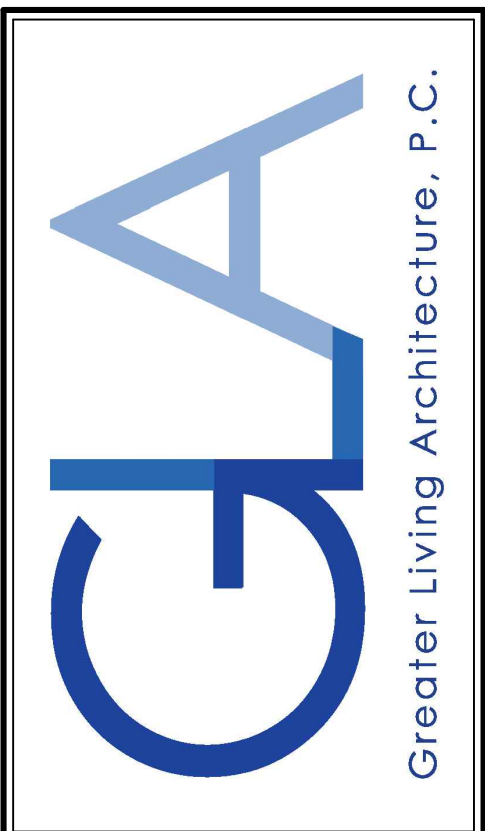
WINDOW / DOOR LEGEND:

	- MEETS OR EXCEEDS EGRESS REQUIREMENTS
	- CLEAR OPENING AREA OF 5.7 SQ.FT.
	- CLEAR OPENING WIDTH OF 20"
	- CLEAR OPENING HEIGHT OF 24"
	- PER SECT. R310.2.1 OF 2020 RCNYS
	- SPECIFIES THAT THIS FIXED OR OPERABLE UNIT REQUIRES SAFETY GLAZING PER SECT. R308.4 OF 2020 RCNYS
	- SPECIFIES THAT THIS OPERABLE WINDOW UNIT REQUIRES FACTORY APPLIED FALL PROTECTION PER SECT. R312.2 OF 2020 RCNYS



NOT FOR CONSTRUCTION

COPYRIGHT NOTICE :
 THESE PLANS ARE PROTECTED UNDER FEDERAL COPYRIGHT LAWS BY GREATER LIVING ARCHITECTURE. ANY UNAUTHORIZED REPRODUCTION OR MODIFICATION OF THESE PLANS IS A VIOLATION OF COPYRIGHT LAWS. CLIENT RIGHTS ARE LIMITED TO ONE-TIME USE FOR THE CONSTRUCTION OF THESE PLANS.
 UNAUTHORIZED ALTERATIONS OR ADDITIONS TO THIS PLAN IS A VIOLATION OF THE NEW YORK STATE EDUCATION LAW, ARTICLE 145, SECTION 7209.
 COPYRIGHT © ALL RIGHTS RESERVED GREATER LIVING ARCHITECTURE, P.C.



3033 BRIGHTON-HENRIETTA TOWNLINE RD
 ROCHESTER, NY 14623
 CALL: (585) 272-9170
 FAX: (585) 292-1262
 www.greatliving.com

REVISIONS:

DATE	BY	DESCRIPTION

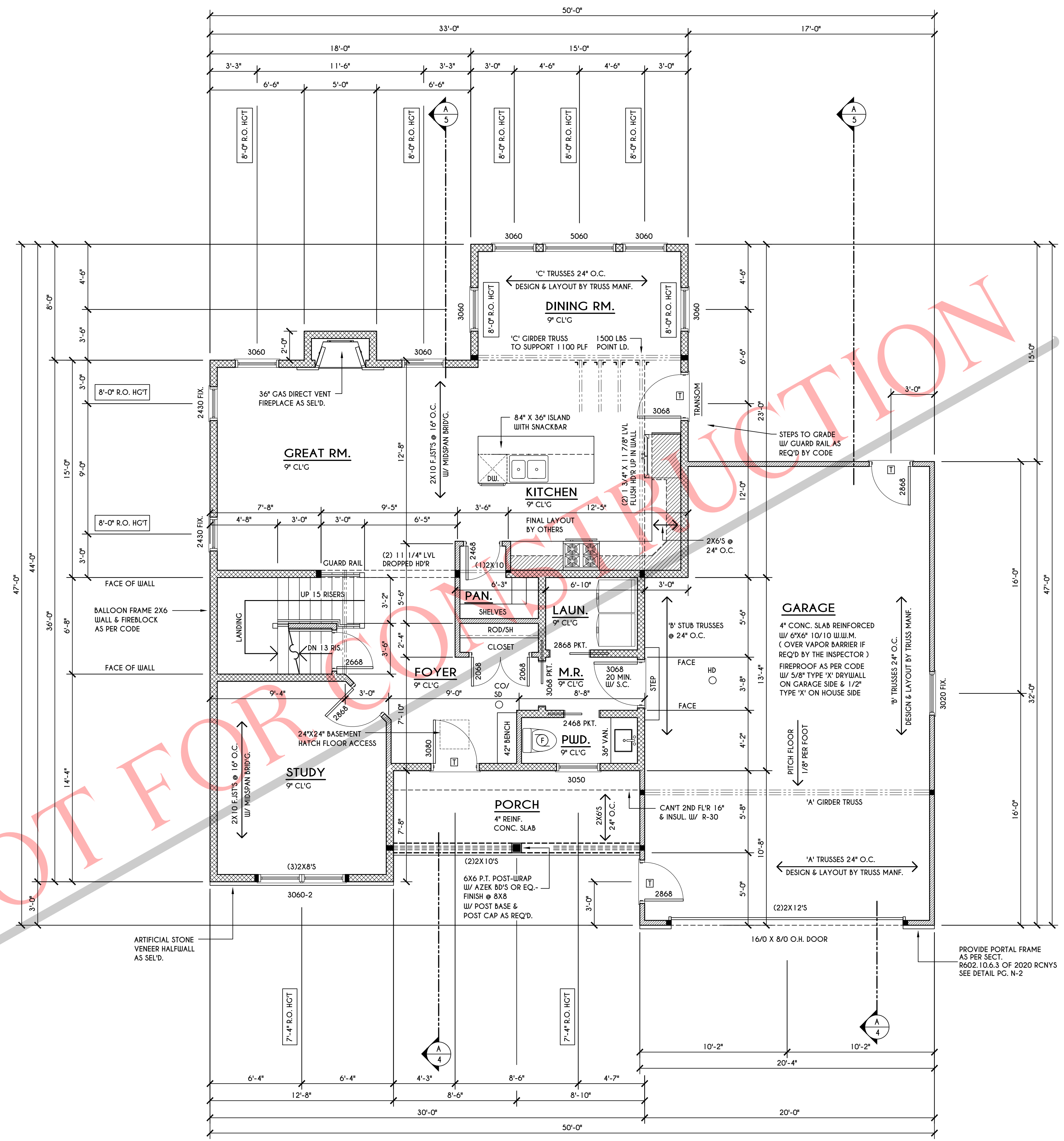
CLIENT/LOCATION:
 706 E. MORENO DR.
 GREECE, NY

BUILDER:
 KELLY HOMES
 OF NEW YORK, LLC

FIRST FLOOR PLAN

GLA PLAN 2082

drawn: CSB	checked: XXX
scale: AS NOTED	date: 7/23
PROJECT: 15424C	sheet: 3 5



FIRST FLOOR PLAN

1112 SQ. FT.

SCALE: 1/4" = 1'-0"
GENERAL FIRST FLOOR PLAN NOTES:
 FIRST FLOOR PLATE HGT TO BE 9'-1 1/8" (UNLESS NOTED OTHERWISE)
 ALL WINDOW R.O. HGT'S TO BE 6'-10 1/2" U.N.O.
 PROVIDE SOLID BLOCKING UNDER ALL BEARING POINTS DOWN TO FOUNDATION WALL
 PROVIDE DBL JACK STUDS EA. SIDE OF LOAD BEARING OPENINGS > 4'-0"
 ALL ANGLES TO BE 45 DEG. U.N.O.
 ALL EXTERIOR WINDOW & DOOR HEADERS TO HAVE MIN. R-5 INSUL. & TO BE MIN. (2)2X8'S OR (3)2X6'S (U.N.O.)
 ALL APPLIANCES SHOWN TO BE BY OWNER OR AS PER CONTRACT BY BUILDER
 SMOKE (SD) & HEAT DETECTOR (HD), SHALL BE INSTALLED AS PER SECT. R314 OF 2020 RCNYS
 CARBON MONOXIDE ALARMS SHALL BE INSTALLED AS PER SECT. 915.3.3 FCNYS & BE WITHIN 10' OF ALL SLEEPING AREAS
 IF AN AUTOMATIC GARAGE DOOR OPENER IS PROVIDED, IT SHALL BE LISTED IN ACCORDANCE W/ UL 325
 THE AIR BARRIER INSTALLED AT EXTERIOR WALLS ADJACENT TO SHOWERS AND TUBS SHALL SEPARATE THEM FROM THE SHOWER OR TUBS.

FRAMING LEGEND:

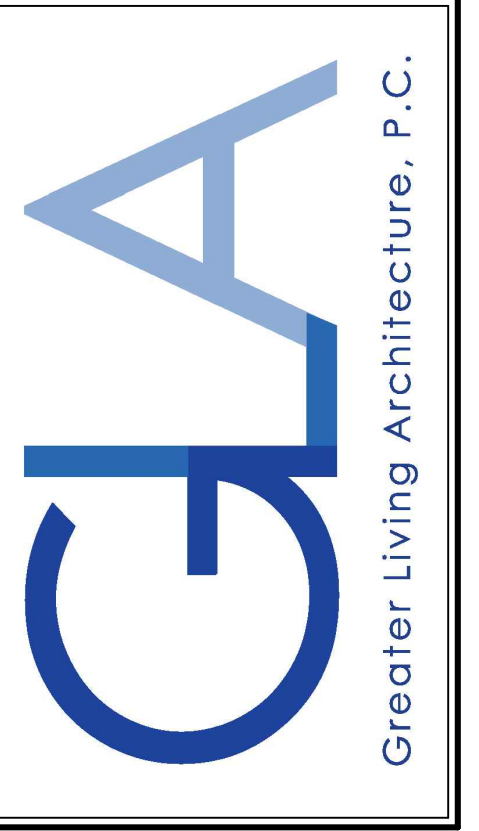
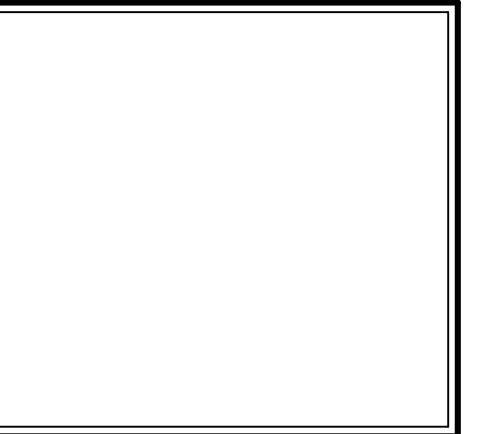
	- PROVIDE SOLID POSTING- CLUED & NAILED, EQUAL TO THE # OF HEADERS TO BE SUPPORTED- UNLESS NOTED OTHERWISE
	- DROPPED HEADER
	- FLUSH HEADER
	- 2X4 STUDS @ 16" O.C.
	- 2X6 STUDS @ 16" O.C.

WINDOW / DOOR LEGEND:

	- MEETS OR EXCEEDS EGRESS REQUIREMENTS - CLEAR OPENING AREA OF 5.7 SQ.FT. - CLEAR OPENING WIDTH OF 20" - CLEAR OPENING HEIGHT OF 24" PER SECT. R310.2.1 OF 2020 RCNYS
	- SPECIFIES THAT THIS FIXED OR OPERABLE UNIT REQUIRES SAFETY GLAZING PER SECT. R308.4 OF 2020 RCNYS
	- SPECIFIES THAT THIS OPERABLE WINDOW UNIT REQUIRES FACTORY APPLIED FALL PROTECTION PER SECT. R312.2 OF 2020 RCNYS

NOT FOR CONSTRUCTION

COPYRIGHT NOTICE :
 THESE PLANS ARE PROTECTED UNDER FEDERAL COPYRIGHT LAWS BY GREATER LIVING ARCHITECTURE. ANY UNAUTHORIZED REPRODUCTION OR MODIFICATION OF THESE PLANS IS A VIOLATION OF COPYRIGHT LAWS. CLIENT RIGHTS ARE LIMITED TO ONE-TIME USE FOR THE CONSTRUCTION OF THESE PLANS.
 UNAUTHORIZED ALTERATIONS OR ADDITIONS TO THIS PLAN IS A VIOLATION OF THE NEW YORK STATE EDUCATION LAW, ARTICLE 145, SECTION 7209
 COPYRIGHT © ALL RIGHTS RESERVED GREATER LIVING ARCHITECTURE, P.C.



3033 BRIGHTON-HENRIETTA TOWNLINE RD
 ROCHESTER, NY 14623
 CALL: (585) 272-9170
 FAX: (585) 292-1262
 www.greaterliving.com

REVISIONS:

DATE	BY	DESCRIPTION

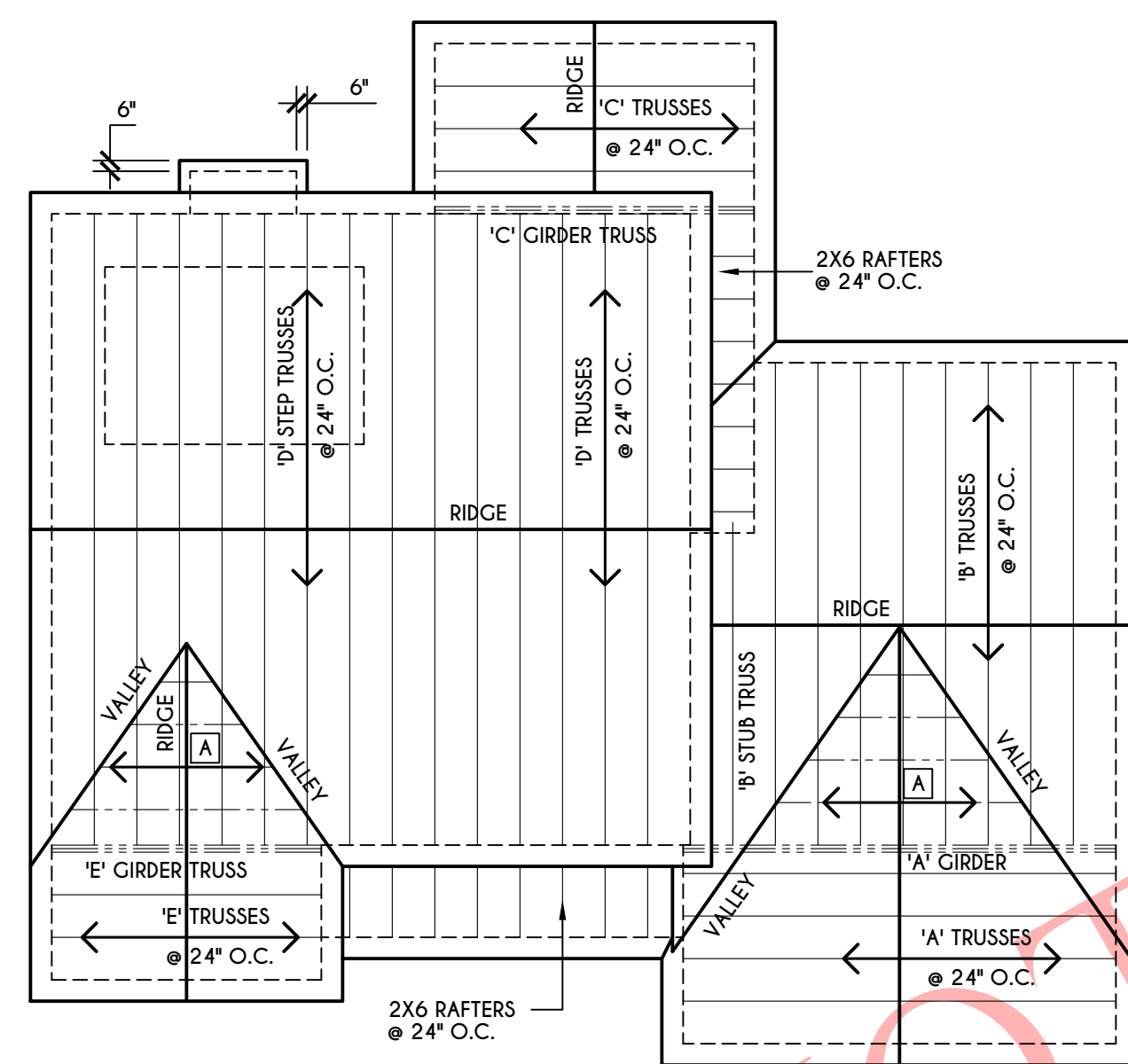
CLIENT/LOCATION:
 706 E. MORENO DR.
 GREECE, NY

BUILDER:
 KELLY HOMES
 OF NEW YORK, LLC

SECOND FLOOR PLAN

GLA PLAN 2082

drawn: CSB	checked: XXX
scale: AS NOTED	date: 7/23
PROJECT: 15424C	sheet: 4 5



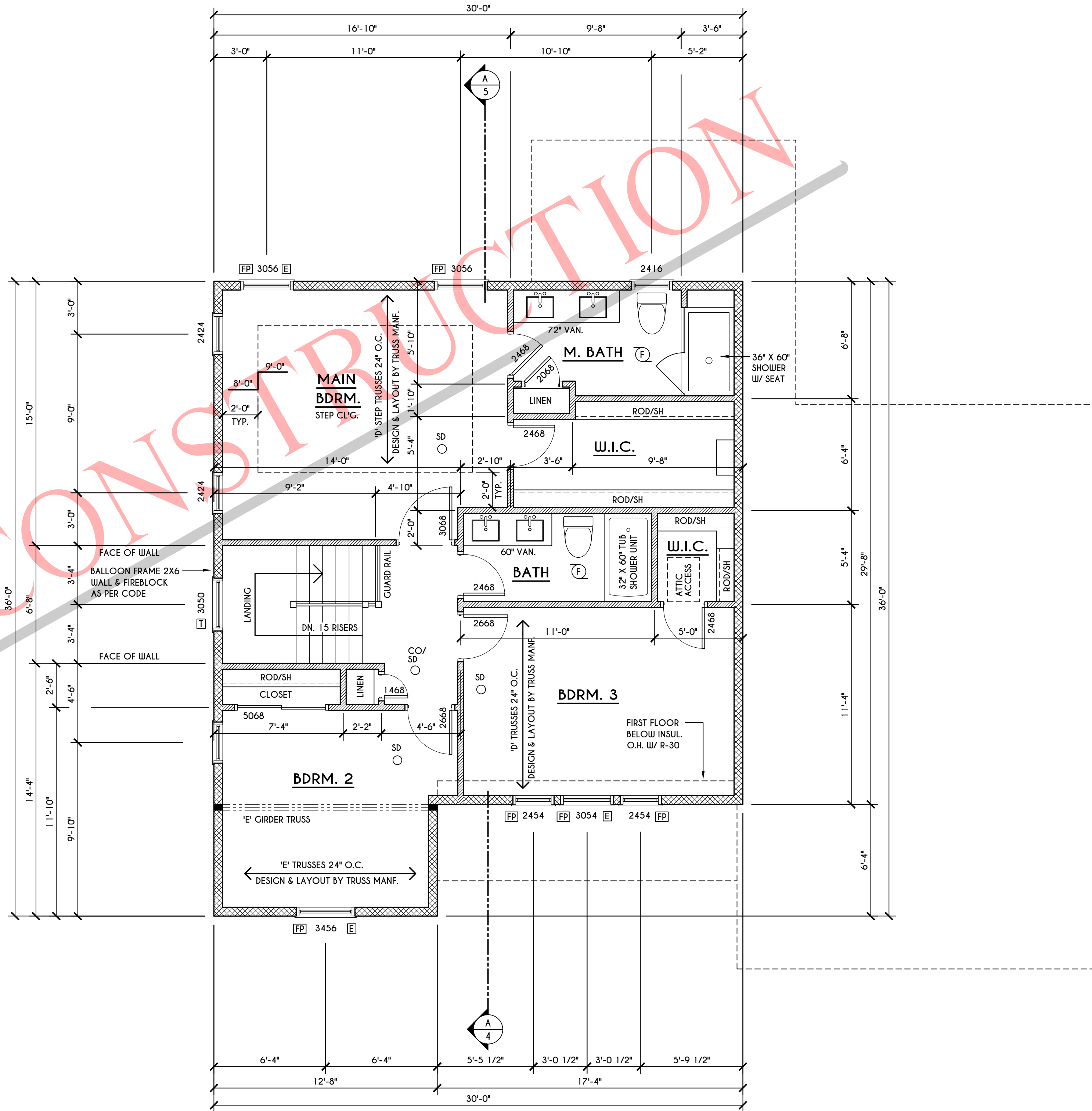
GENERAL ROOF NOTES:

ALL RAKES & OVERHANGS ARE TO BE 1'-0" UNLESS NOTED OTHERWISE
 ALL NON-STRUCTURAL VALLEYS TO HAVE 2X12 SLEEPER ATTACHED TO PLYWOOD ROOF SHEATHING
 THIS FRAMING DIAGRAM IS INTENDED TO BE SCHEMATIC AND POSITION OF MEMBERS MAY BE ALTERED TO SUIT ACTUAL FIELD CONDITIONS
 4/12 PITCH ROOFS OR SHALLOWER TO HAVE 2 LAYERS 15# FELT

ROOF PLAN

SCALE: 1/8" = 1'-0"

A - 2X6 LAYOVER RAFTERS 24" O.C.



FRAMING LEGEND:

- PROVIDE SOLID POSTING- GLUED & NAILED, EQUAL TO THE # OF HEADERS TO BE SUPPORTED- UNLESS NOTED OTHERWISE
- DROPPED HEADER
- FLUSH HEADER
- 2X4 STUDS @ 16" O.C.
- 2X6 STUDS @ 16" O.C.

SECOND FLOOR PLAN

970 SQ.FT.

SCALE: 1/4" = 1'-0"

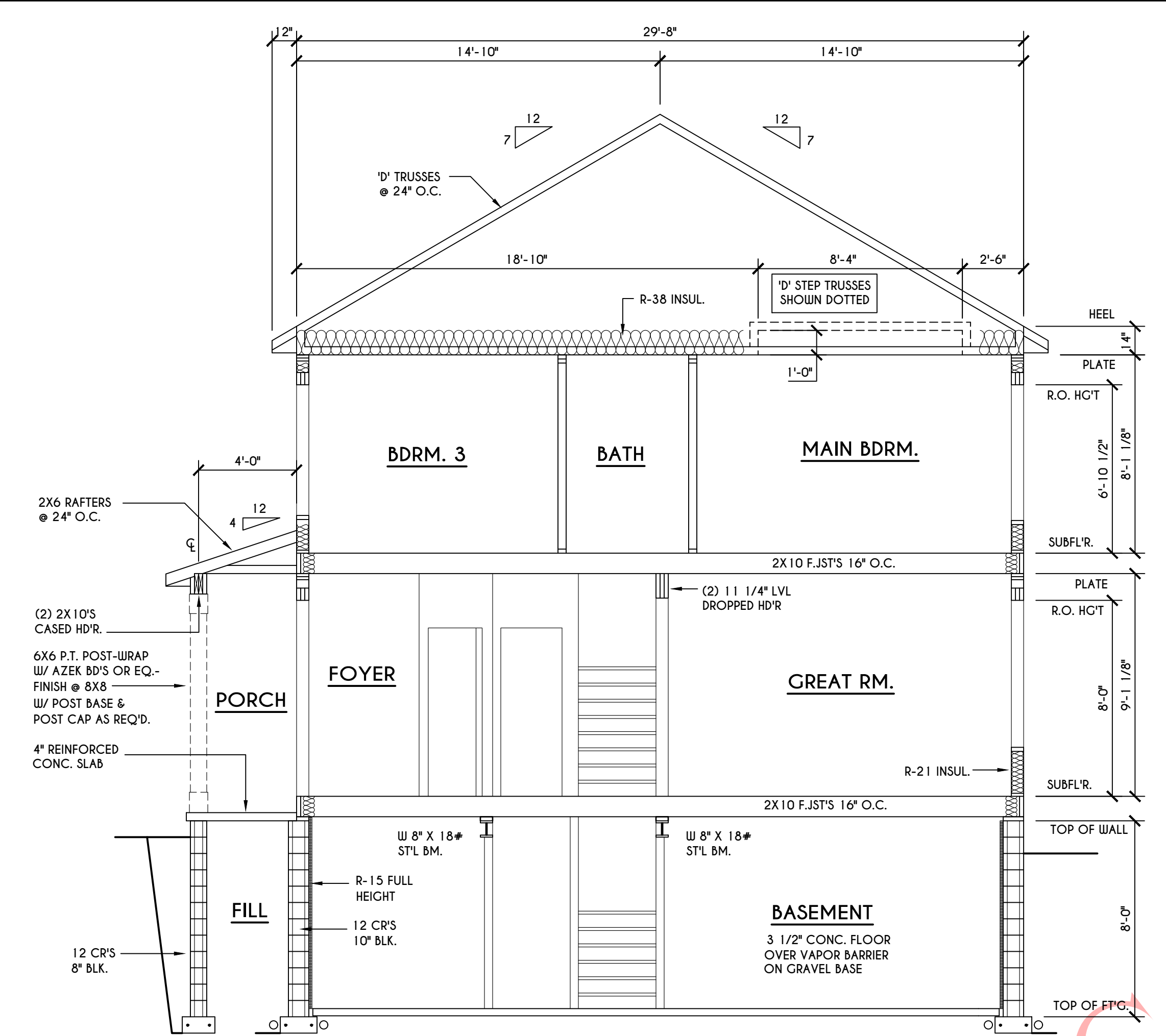
GENERAL SECOND FLOOR PLAN NOTES:

SECOND FLOOR PLATE HGT TO BE 8'-1 1/8" (UNLESS NOTED OTHERWISE)
 ALL WINDOW R.O. HGTS TO BE 6'-10 1/2" U.N.O.
 PROVIDE SOLID BLOCKING UNDER ALL BEARING POINTS DOWN TO FOUNDATION WALL
 PROVIDE D/L JACK STUDS EA. SIDE OF LOAD BEARING OPENINGS > / = 4'-0"
 ALL ANGLES TO BE 45 DEG. U.N.O.
 ALL EXTERIOR WINDOW & DOOR HEADERS TO HAVE MIN. R-5 INSUL. & TO BE MIN. (2)2X8'S OR (3)2X6'S (U.N.O.)
 ALL APPLIANCES SHOWN TO BE BY OWNER OR AS PER CONTRACT BY BUILDER
 SMOKE (SD) & HEAT DETECTOR (HD), SHALL BE INSTALLED AS PER SECT. R314 OF 2020 RCNYS
 CARBON MONOXIDE ALARMS SHALL BE INSTALLED AS PER SECT. 915.33 FCNYS & BE WITHIN 10' OF ALL SLEEPING AREAS
 THE AIR BARRIER INSTALLED AT EXTERIOR WALLS ADJACENT TO SHOWERS AND TUBS SHALL SEPARATE THEM FROM THE SHOWER OR TUBS.

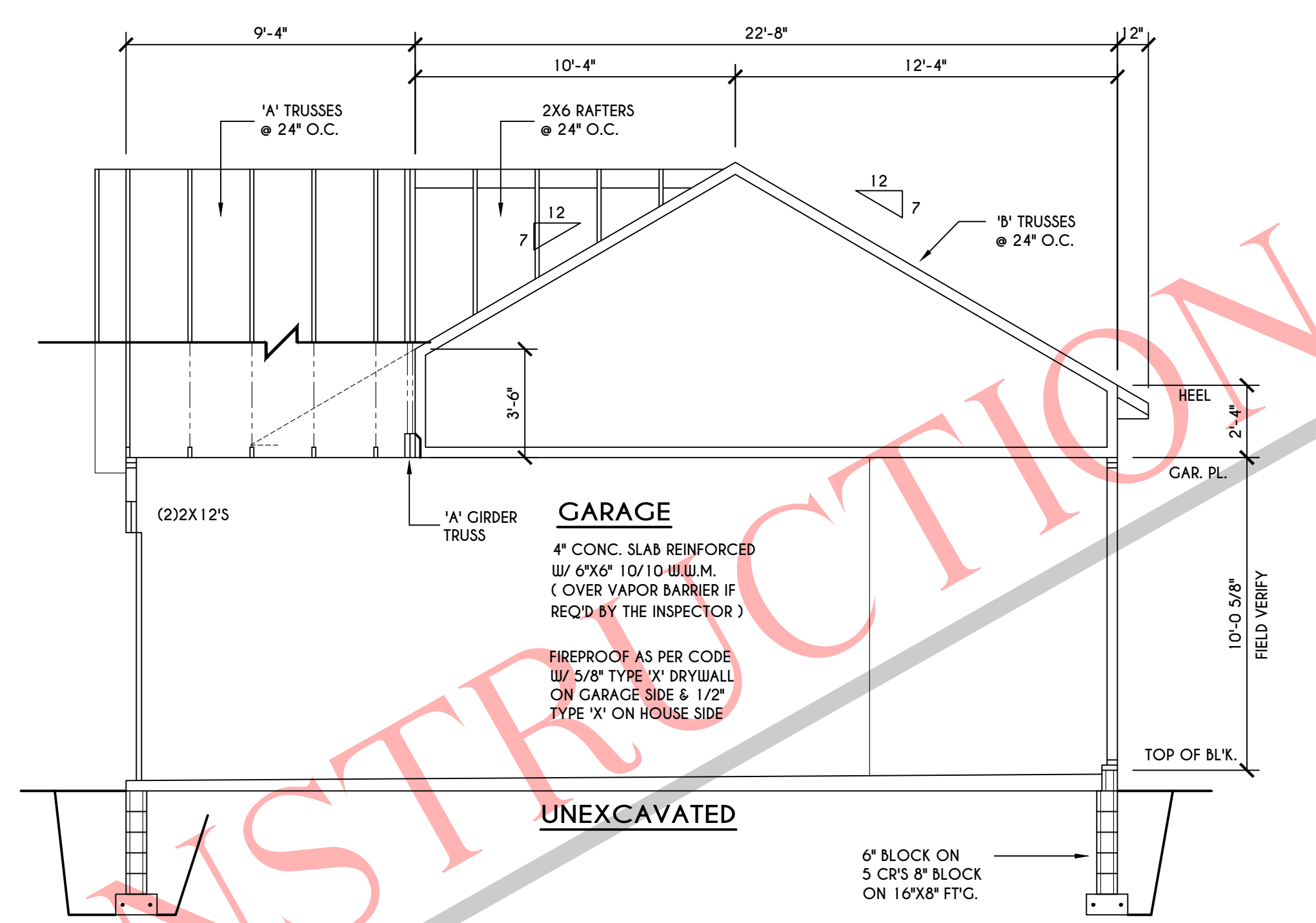
WINDOW / DOOR LEGEND:

- MEETS OR EXCEEDS EGRESS REQUIREMENTS
 - CLEAR OPENING AREA OF 5.7 SQ.FT.
 - CLEAR OPENING WIDTH OF 20"
 - CLEAR OPENING HEIGHT OF 24"
 PER SECT. R310.2.1 OF 2020 RCNYS
- SPECIFIES THAT THIS FIXED OR OPERABLE UNIT REQUIRES SAFETY GLAZING
 PER SECT. R308.4 OF 2020 RCNYS
- SPECIFIES THAT THIS OPERABLE WINDOW UNIT REQUIRES FACTORY APPLIED FALL PROTECTION PER SECT. R312.2 OF 2020 RCNYS

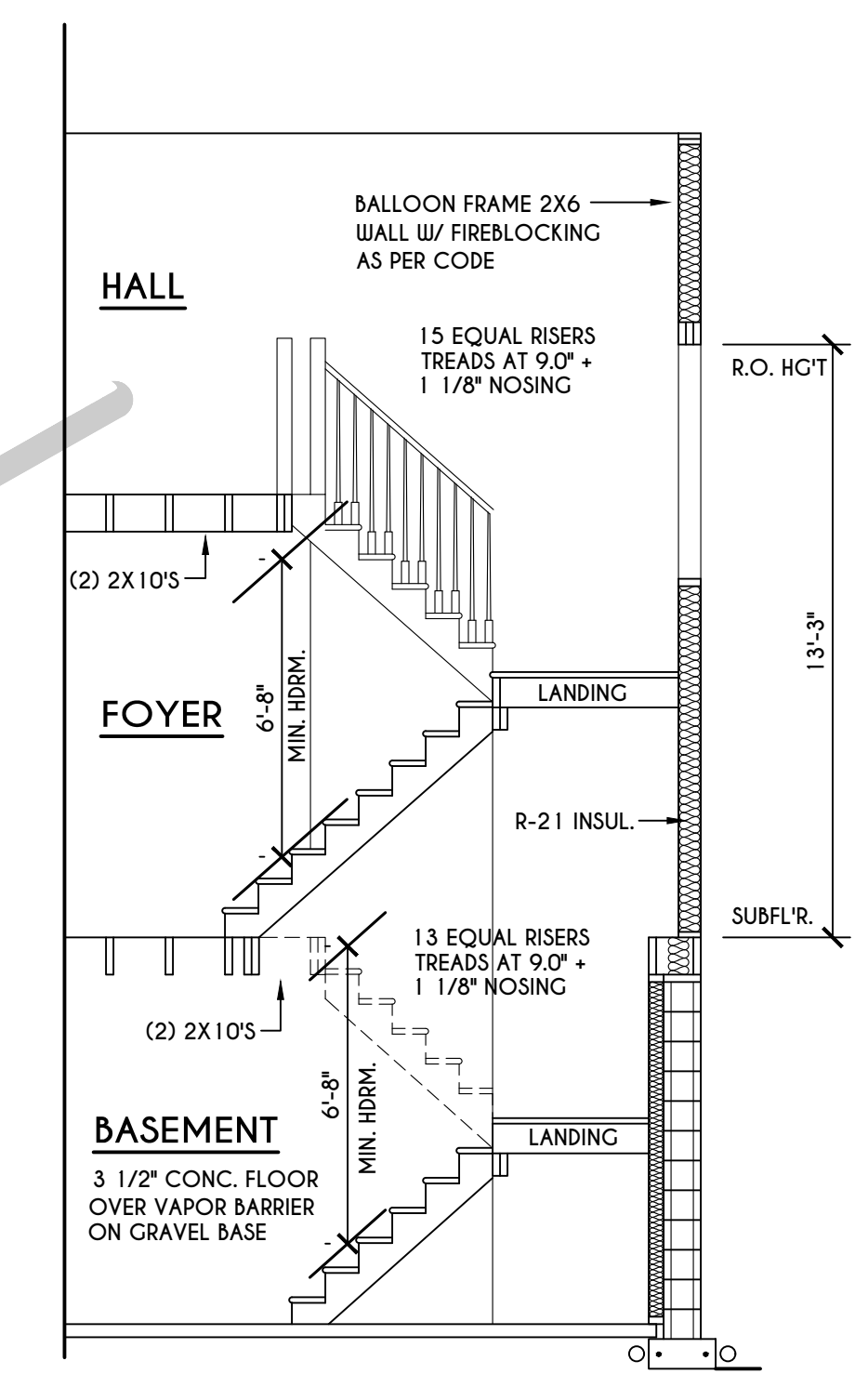
COPYRIGHT NOTICE :
 THESE PLANS ARE PROTECTED UNDER FEDERAL COPYRIGHT LAWS BY GREATER LIVING ARCHITECTURE. ANY UNAUTHORIZED REPRODUCTION OR MODIFICATION OF THESE PLANS IS A VIOLATION OF COPYRIGHT LAWS. CLIENT RIGHTS ARE LIMITED TO ONE-TIME USE FOR THE CONSTRUCTION OF THESE PLANS.
 UNAUTHORIZED ALTERATIONS OR ADDITIONS TO THIS PLAN IS A VIOLATION OF THE NEW YORK STATE EDUCATION LAW, ARTICLE 145, SECTION 7209.
 COPYRIGHT © ALL RIGHTS RESERVED GREATER LIVING ARCHITECTURE, P.C.



A BUILDING SECTION
4 SCALE: 1/4" = 1'-0"

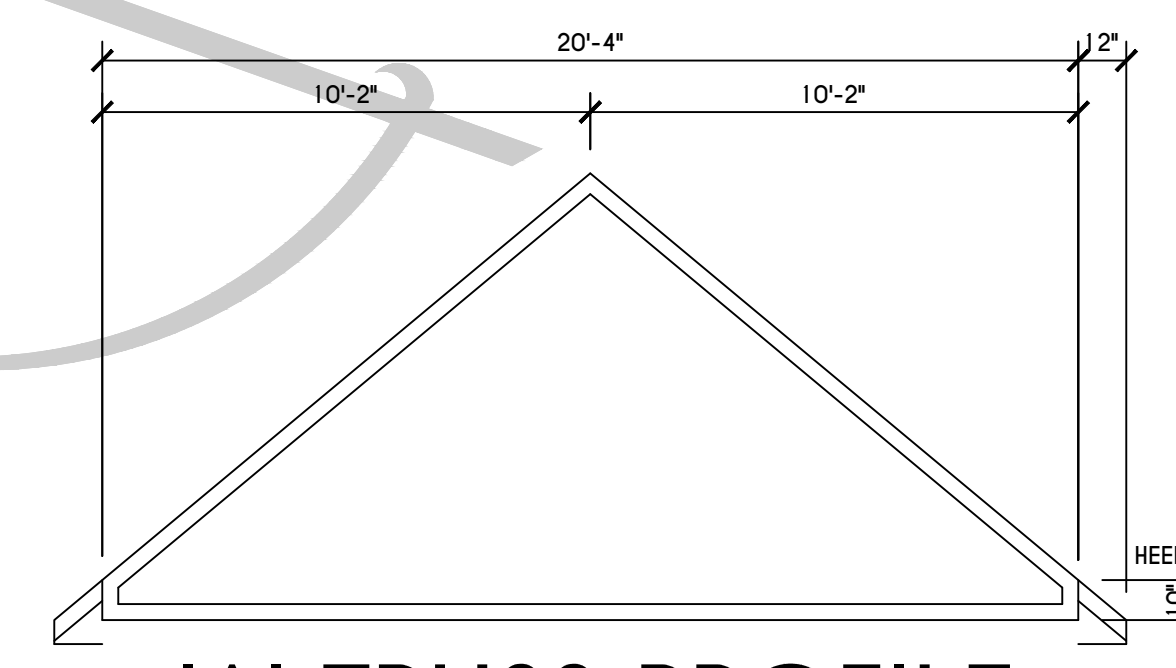


B BUILDING SECTION
4 SCALE: 1/4" = 1'-0"

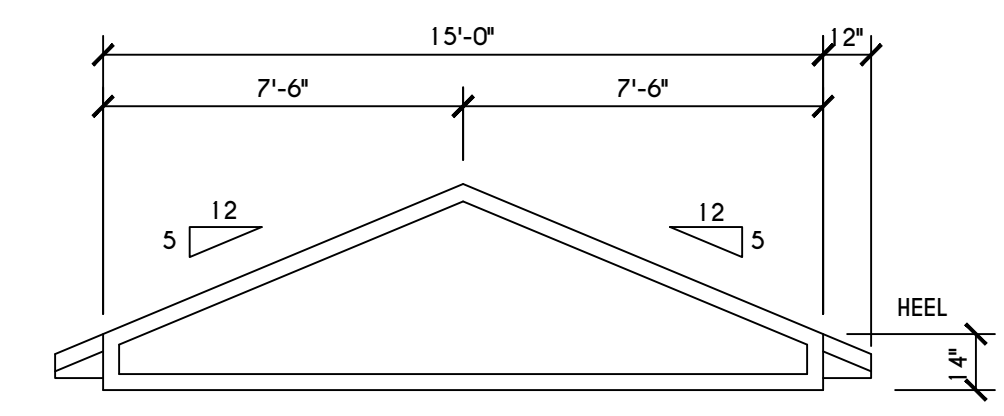


STAIR SECTION
 SCALE: 1/4" = 1'-0"

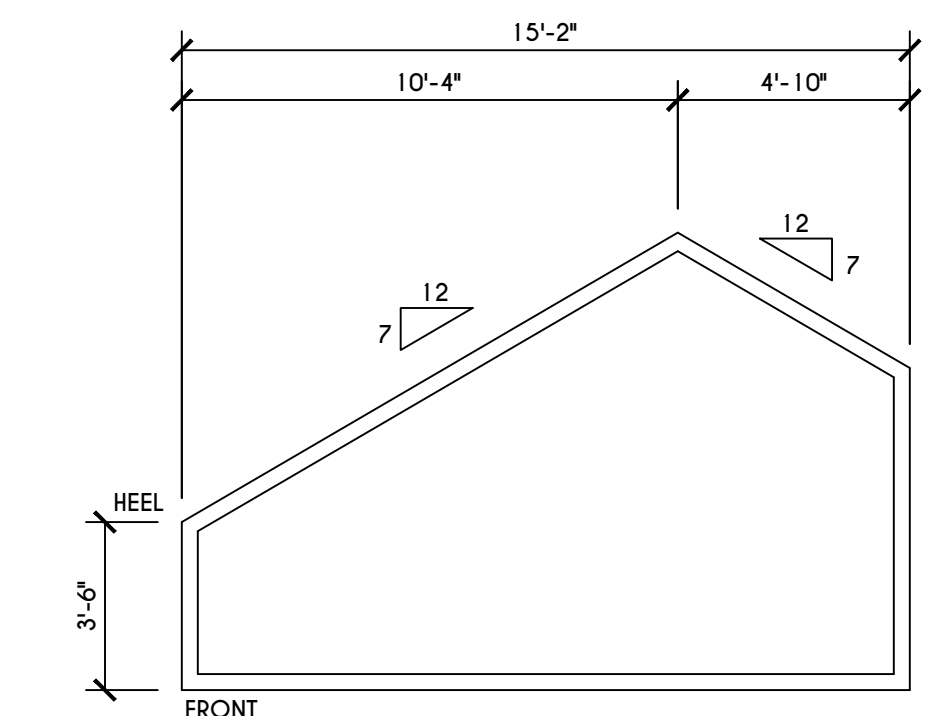
TRUSS NOTES:
 TRUSS PROFILE SHOWN FOR REFERENCE ONLY - MANUFACTURER IS RESPONSIBLE FOR CHORD LAYOUT AS REQ'D FOR DESIGN LOAD
 TRUSS MANUFACTURER TO VERIFY ACTUAL LOAD AT GIRDER-TO-GIRDER CONNECTIONS & TO SPECIFY A MIN. METAL HANGER TO SUPP. THAT LOAD
 PROVIDE TRUSS BRACING AS INDICATED BY TRUSS DESIGNER



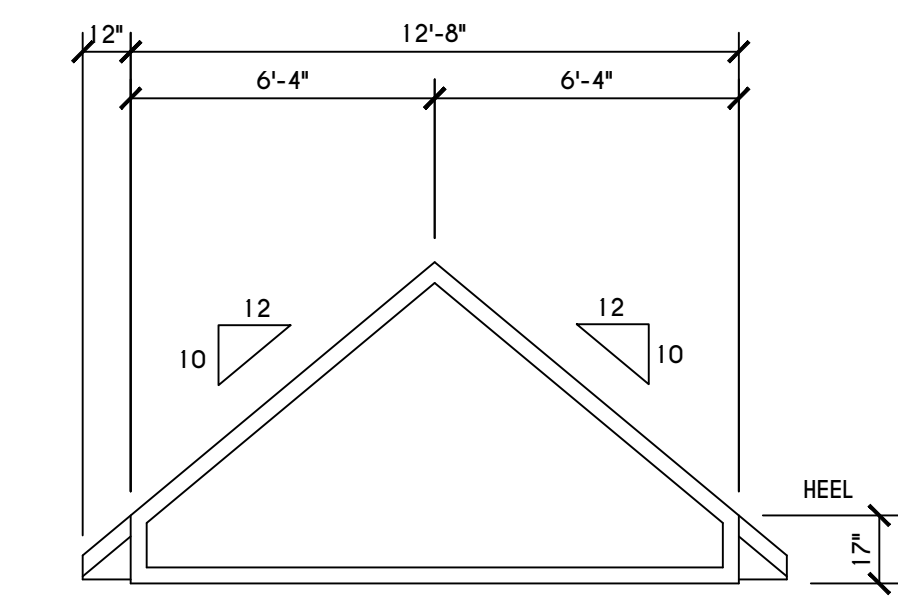
'A' TRUSS PROFILE
 SCALE: 1/4" = 1'-0"



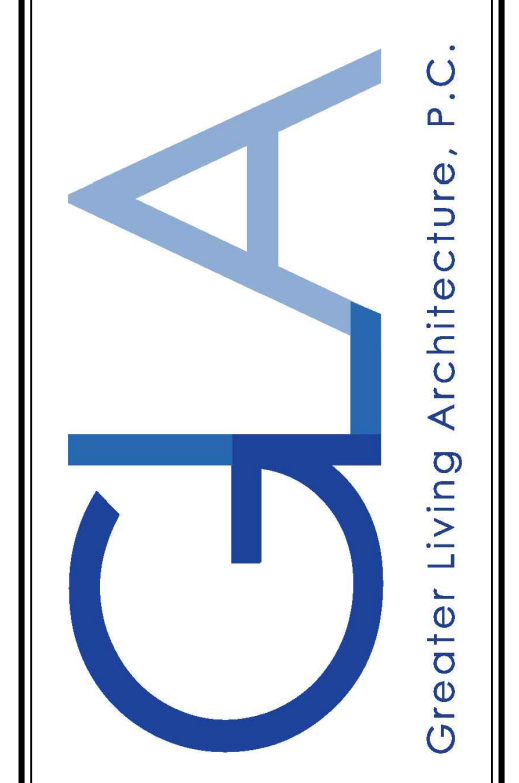
'C' TRUSS PROFILE
 SCALE: 1/4" = 1'-0"



'B' STUB TRUSS PROFILE
 SCALE: 1/4" = 1'-0"



'E' TRUSS PROFILE
 SCALE: 1/4" = 1'-0"



3033 BRIGHTON-HENRIETTA
 TOWNLINE RD
 ROCHESTER, NY 14623
 CALL: (585) 272-9170
 FAX: (585) 292-1262
 www.greatliving.com

REVISIONS:

DATE	BY	DESCRIPTION

CLIENT/LOCATION:
 706 E. MORENO DR.
 GREECE, NY

BUILDER:
 KELLY HOMES
 OF NEW YORK, LLC

SECTIONS
 GLA PLAN 2082

drawn: CSB	checked: XXX
scale: AS NOTED	date: 7/23
PROJECT: 15424C	sheet: 5